

# VITALIFT®

## DROP FORGED EYE BOLTS & EYE NUTS

Used as attachment points on various machines & equipment



### Specifications

Range: 6mm - 64mm  
 Material: Carbon steel - C15  
 Factor of safety: 6:1  
 Electro-galvanised

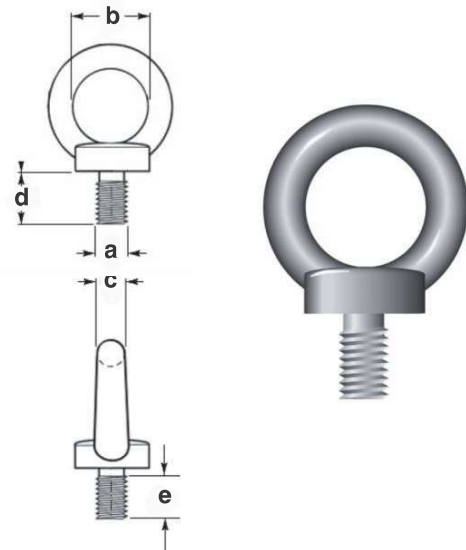
### Markings

Working load limit (for in-line pull)  
 Thread size  
 Manufacturer mark - VL  
 Material grade C15

### Eye bolts - drop forged

Manufactured to DIN580 Specifications

Product Code	Thread Ø mm (a)	Working Load Limit @ 0° Kg	Inside Eye Ø mm (b)	Eye Material Ø mm (c)	Shank Length mm (d)	Thread Length mm (e)	Approx Weight (Kg)
EBM06	6	70	15	6	11	9	0.05
EBM08	8	140	19	8	12	9	0.06
EBM10	10	230	24	10	16	13	0.11
EBM12	12	340	29	11	20	17	0.18
EBM14	14	490	34	14	26	22	0.28
EBM16	16	700	34	14	27	22	0.32
EBM18	18	900	40	16	29	25	0.45
EBM20	20	1200	39	16	30	25	0.45
EBM22	22	1500	44	19	32	28	0.67
EBM24	24	1800	49	20	36	30	0.87
EBM27	27	2500	50	20	30	27	0.88
EBM30	30	3200	59	25	46	38	1.66
EBM33	33	4300	59	25	46	38	2.16
EBM36	36	4600	70	27	60	51	2.65
EBM42	42	6300	80	31	65	58	4.03
EBM45	45	8000	89	38	67	57	6.00
EBM48	48	8600	90	40	70	60	6.38
EBM56	56	11500	109	47	83	70	8.8
EBM64	64	16000	109	47	90	75	12.4



### Eye nuts - drop forged

Manufactured to DIN582 Specifications

Product Code	Thread Ø mm (a)	Working Load Limit @ 0° Kg	Inside Eye Ø mm (b)	Eye Material Ø mm (c)	Approx Weight (Kg)
ENM06	6	70	15	6	0.05
ENM08	8	140	19	8	0.06
ENM10	10	230	24	10	0.11
ENM12	12	340	29	11	0.18
ENM14	14	490	34	14	0.28
ENM16	16	700	34	14	0.32
ENM18	18	900	40	16	0.45
ENM20	20	1200	39	16	0.45
ENM22	22	1500	44	19	0.67
ENM24	24	1800	49	20	0.87
ENM30	30	3200	59	25	1.66
ENM33	33	4300	59	25	2.16
ENM36	36	4600	70	27	2.65
ENM42	42	6300	80	31	4.03
ENM45	45	8000	89	38	6.00
ENM48	48	8600	90	40	6.38
ENM56	56	11500	109	47	8.8
ENM64	64	16000	109	47	12.4

